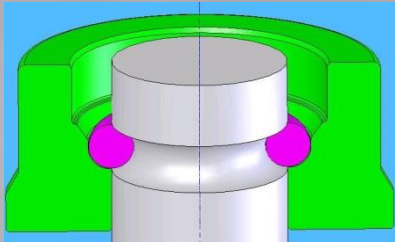
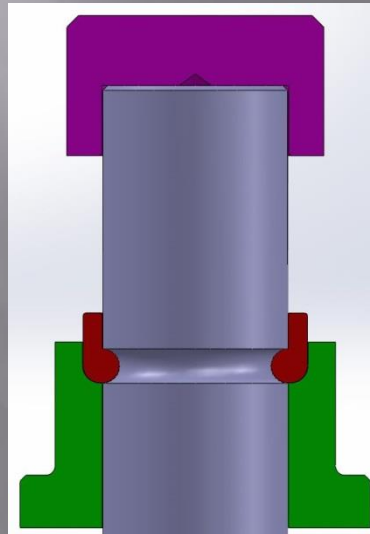




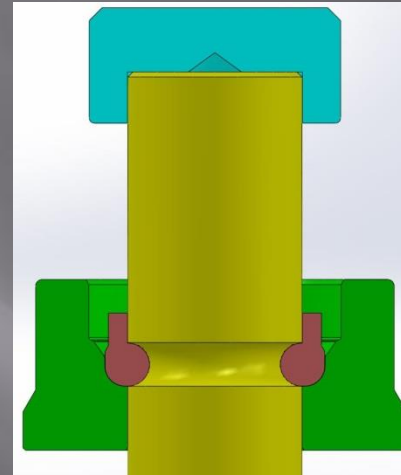
MBP RETAINERS



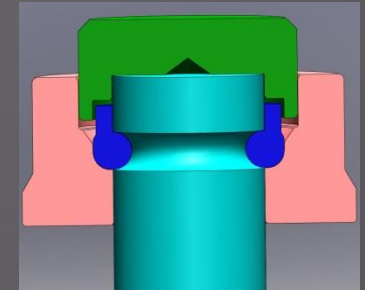
STOCK HALF RING



8 MM MBP RETAINERS



7MM MBP RETAINERS
2V-7MM



7 MM MBP RETAINERS
4V

Features/Characteristics

- Wire Formed
- Mechanically Cut
- Deforms During Use
- Can Break If Clearances get too large
- Low Resistance to Bending
- Shorter Valve Adjustment Intervals

Features and Characteristics of MBP Retainers

- Precision Machined, Made from Tool Steel, Hardened
- Does Not Deform During Use
- Will Not Break
- High Resistance to Bending
- **Extends Valve Adjustment Intervals**